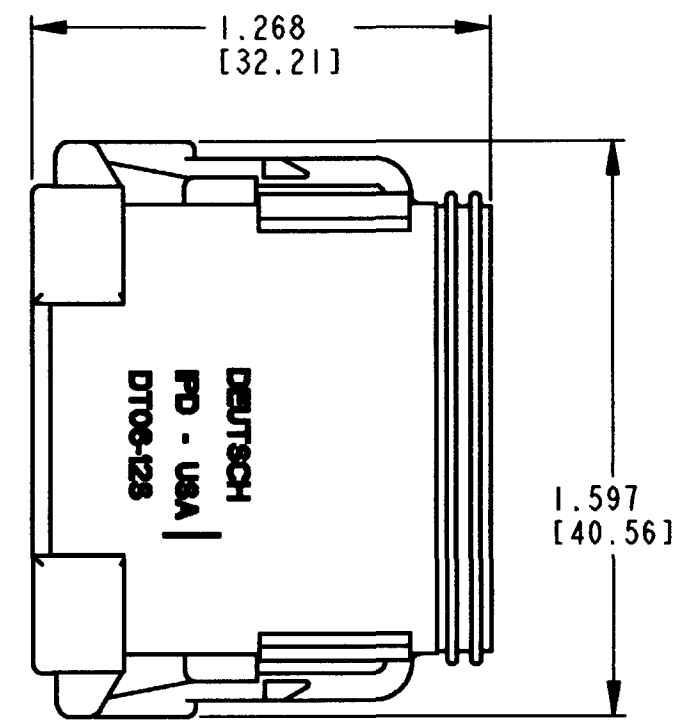
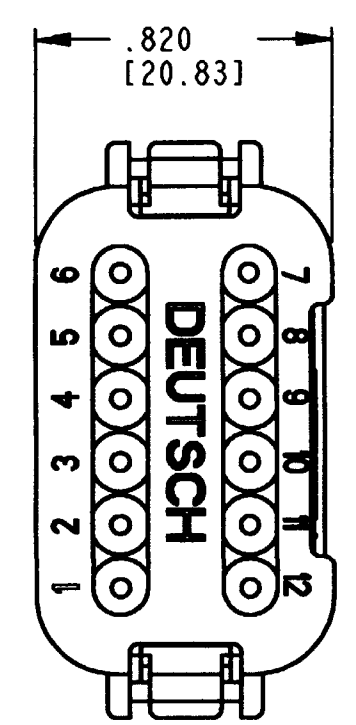
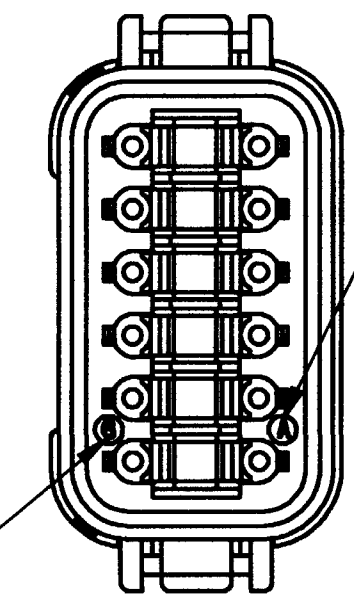


REV A	DT06-12S*-E003	REVISIONS		
SYM	DESCRIPTION	DATE	APPROVED	
NC	REVISED AND REPLACES PREVIOUS RELEASE PER E.O. P18204	6/27/03	RDR	
A	RELEASE PER E.O. P18506	3-19-04	RDR	



DATE CODE: MONTH REPRESENTED BY
SEQUENTIAL ALPHA CHARACTERS.
EX. A = JANUARY



DATE CODE: YEAR IS REPRESENTED BY
LAST NUMERICAL DIGIT.
EX. 6 = 2006

- 5. MATERIAL: SHELL: PLASTIC; GROMMET: RUBBER.
- 4. THIS PLUG MATES WITH DT04-12P*-**** RECEPTACLE.
(* = A,B,C,D KEY ARRANGEMENT; **** = ALL MODIFICATIONS).
(CONSULT FACTORY FOR ALL MODIFICATIONS.)

3. FOR CONTACTS AND WIRE PERFORMANCE AND APPLICATION CHARACTERISTICS,
SEE ENVELOPE DRAWINGS 0425-015-0000 AND 0425-017-0000.

- 2. DIMENSIONS ARE ±.025[.64] UNLESS OTHERWISE SPECIFIED.
- 1. ALL DIMENSIONS ARE INCHES (MILLIMETERS).

NOTES:

CONTACT SIZE	MIN. INSUL O.D.	MAX. INSUL O.D.	WIRE RANGE [mm ²] REF. ONLY
16	.088 [2.24]	.145 [3.68]	14-20 AWG [2.0-0.5]

SIGNATURE & DATE	
DR	T. YOHANNES 09 JUN 03
CHK	[Signature] 3/18/04
PE	[Signature] 3/16/04
APPD	[Signature] 3-16-04
SCALE	NONE WT

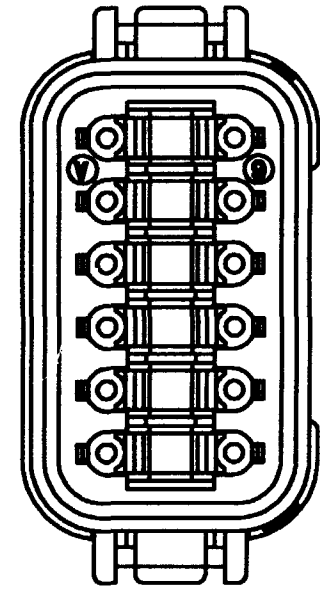
12 WAY PLUG
-E003 MOD.
DT SERIES

ENVELOPE

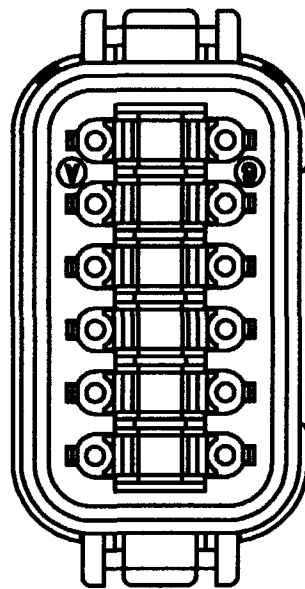
CP	MATL CODE
The Deutsch Company DEUTSCH I.P.D. 3850 INDUSTRIAL AVE. HEMET, CALIF. 92545	
B DT06-12S*-E003	
DWG SIZE	CODE 11139 SHEET 1 OF 2

REV A	DT06-12S*-E003	REVISIONS			
		SYM	DESCRIPTION	DATE	APPROVED
			SEE SHEET ONE	3-19-04	RDR

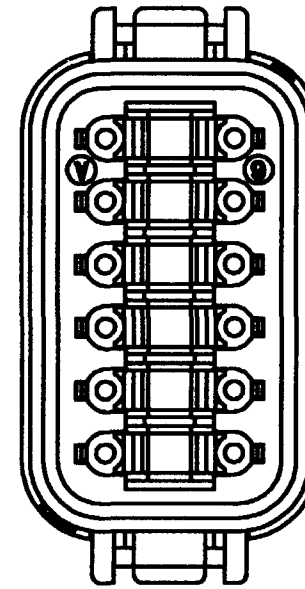
PART NO: DT06-12SA-E003
KEY ARR. -A-
COLOR: GRAY



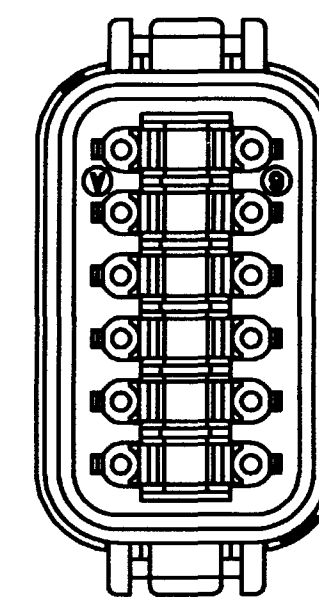
PART NO: DT06-12SB-E003
KEY ARR. -B-
COLOR: BLACK



PART NO: DT06-12SC-E003
KEY ARR. -C-
COLOR: GREEN



PART NO: DT06-12SD-E003
KEY ARR. -D-
COLOR: BROWN



NOTES: SEE SHEET ONE

SIGNATURE & DATE		12 WAY PLUG -E003 MOD. DT SERIES	CP	MATL. CODE
DR	T. YOHANNES 09JUN03		The Deutch Company	
CHK	<i>[Signature]</i> 3/18/04		DEUTSCH I.P.D. 3850 INDUSTRIAL AVE. HEMET, CALIF. 92545	
PE	<i>[Signature]</i> 3/16/04		B DT06-12S*-E003	
APPD	<i>[Signature]</i> 3-16-04	ENVELOPE	DWG SIZE	CODE 11139
SCALE	NONE	WT	SHEET 2 OF 2	